

VC Systems & Controls, Inc.

CONDENSATE COLLECTION TANK SERIES (CCT)

Condensate Collection & Cooling Tower Make-Up

1-800-881-3123

The **CCT Series** is VC System's new flagship product for water reclamation and sustainable technology designed to save millions of gallons of clear, clean water from being sent to the sewer. This collected water in return saves the owner hundreds of thousands of dollars in city water and sewer costs over the life cycle of the system...and is *guaranteed*. Money aside, saving water is just good business.



HIGHLIGHTS:

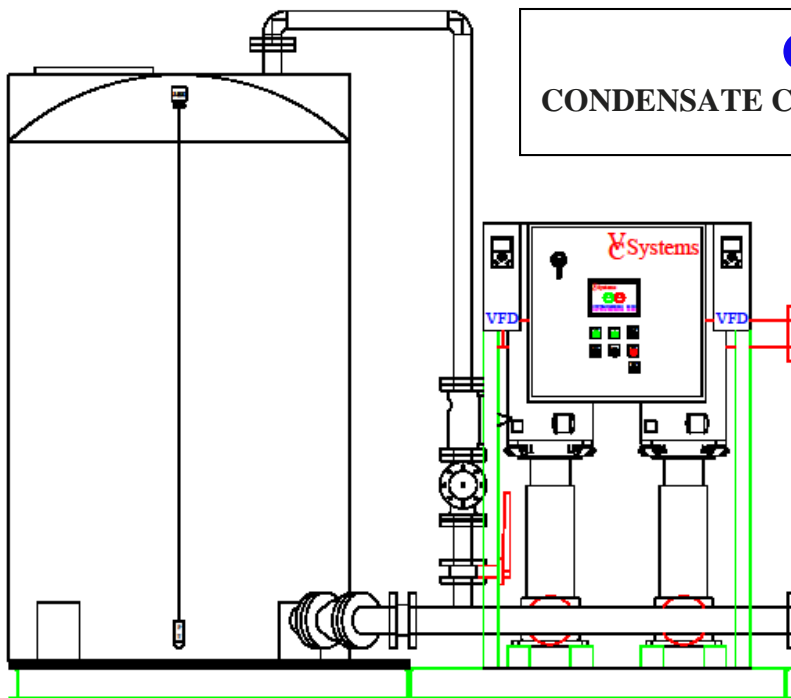
- **SAVINGS:** The minimum city water savings for installing a CCT system is \$2,200-\$2,500 annually per 100 tons of cooling at 1 cent per gallon (combined water & sewer costs).
- **PACKAGED:** The CCT Series only requires three plumbing connections and one electrical connection. All necessary valves, piping, and controls are included. System provides fully integrated and automatic controls.
- **FILTRATION:** The collected condensate is clean, cool water and usually requires no filtration or treatment. A small packaged chlorine feed system can be included with the package as an option.
- **FREE COOLING:** The CCT Series also reduces the BTU load at the cooling tower, increases the tower cycles of concentration, and reduces scale in the cooling tower.
- **GUARANTEED:** While the amount of condensate will vary based on humidity and other factors... it is *always* there! The savings is guaranteed.
- **LEEDS:** The CCT Series qualifies for points in LEED v4.

SYSTEM FEATURES

- UL QCZJ / UL508A Listed
- All ANSI Flanged Design
- HDPE Storage Tank
- Color Touch Screen Controls
- Variable Speed Load Matching
- Complete Packaged Unit
- 304 Stainless Steel Manifolds
- Single Source Responsibility
- Manual City Bypass Line

www.vcsystems.net

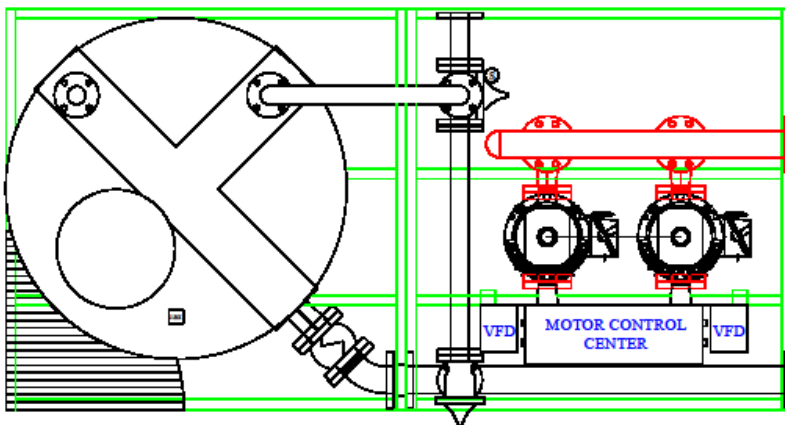
V Systems & Controls, Inc.



CCT SYSTEM CONDENSATE COLLECTION/COOLING TOWER FILL

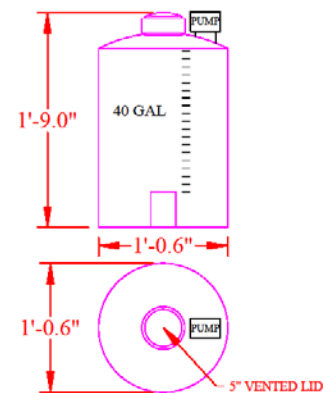
CONTROL FEATURES

- UL QCZJ / UL508A Listed
- Color Touch Screen Controls
 - Alarm / Event Log
 - System Trend Graph
- Tank Level / Fill Control
 - Level Read Out
 - Solenoid Control for City Fill
 - Level Transducer
- No Flow Shut Down / Sleep Mode
- Kick Start Stabilization
- Generator Interlock
- Modbus RTU RS485
- Form C Dry Contact for Common Alarm



USE AND OPTIONS:

- Any building that has a cooling tower.
- Mid and High Rise Apartment and Condo buildings.
- Hospitals & Industrial facilities.
- Optional Integral Irrigation pumping system.
- Optional Chlorine metering system.
- 500 Gallon Tank Standard, other sizes available.



40 GALLON CHLORINE STORAGE
TANK WITH METERING PUMP
NOTE 1: SHIPS LOOSE FOR FIELD MOUNTING
NOTE 2: PROVIDED WITH 10' CORD & PLUG

OPTIONAL CHEMICAL FEED SYSTEM